

EXTRUDED PANEL LOUVRE SYSTEMS

By intercepting sunlight before it strikes window glass, Hunter Douglas Commercial Extruded Panel Louvre Systems dramatically reduce heat gain, whilst eliminating glare. All in all, these open-curved profiles offer design, functionality and comfort. With a range of louvre sizes, profiles and pitches, and both horizontally projected and vertically mounted options available, an optimal choice can always be found.



PRODUCT RANGE

Extruded Louvres	Size (mm)	Louvre Weight (kg/lm)	Minimum Material Thickness (mm)
Panel Louvre 80RX	80	0.600	1.80
Panel Louvre 84RX	84	0.445	1.30
Panel Louvre 132SX	132	1.348	2.00
Panel Louvre 300RX	300	3.037	2.50

Custom shapes and profiles are available upon request.

APPLICATIONS

- Horizontal overhead projection
- Vertical sun control screen
- Privacy screen
- Exterior
- New developments or existing buildings

MATERIAL

Aluminium alloy extrusion.

COLOURS & FINISHES

A range of standard and customised powder-coat and anodised colours and finishes are available.

LOUVRE SPAN

Wind load span charts are available upon request.

DESIGN FLEXIBILITY

Extruded Panel Louvre Systems are engineered for a variety of applications, with support structures that can be customised to fully integrate into building architecture.

ENVIRONMENTAL BENEFITS

- Effective shading performance: the exterior Extruded Panel Louvre Systems provide optimised passive solar control by reducing heat and eliminating glare.
- Energy efficiency: a reduction in the demand upon the cooling system of a building can be achieved, decreasing energy costs and increasing the personal comfort level.
- The open construction of Extruded Panel

Louvres is effective in allowing a natural air flow around the building.

- Aluminium is recyclable and made up of 50% to 90% recycled content.

DURABILITY

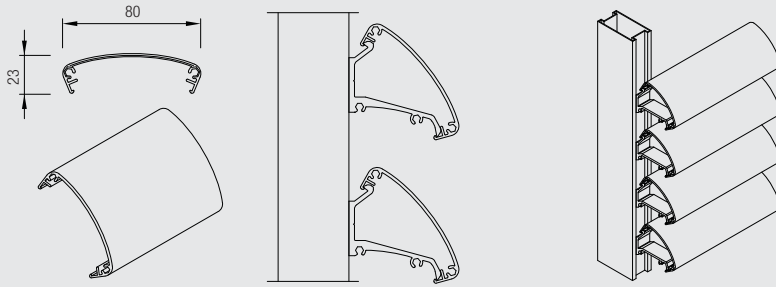
The Panel Louvre Systems are made from extruded aluminium profiles with optimised wall thicknesses, combining high strength with corrosion resistance.

QUALITY

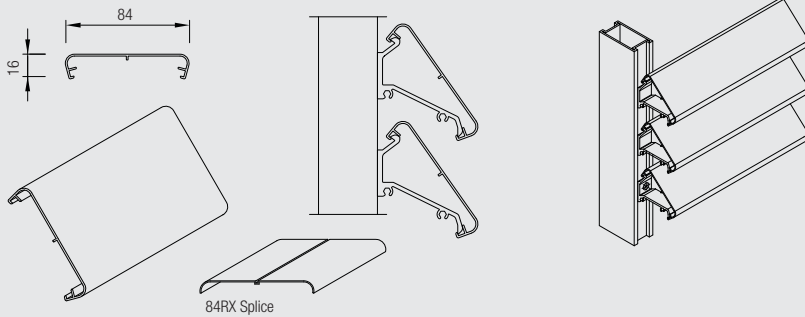
Hunter Douglas Limited is a quality endorsed company, certified as complying with the requirements of AS/NZS ISO 9001.2000.

EXTRUDED PANEL LOUVRE PROFILES & SIZES

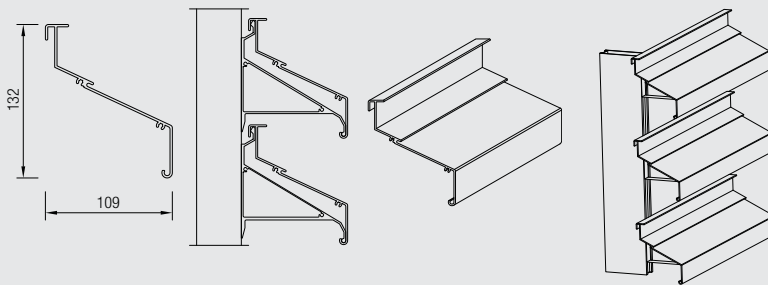
80RX



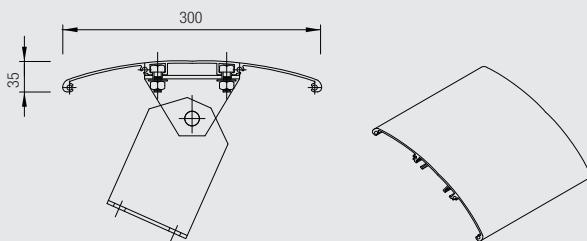
84RX



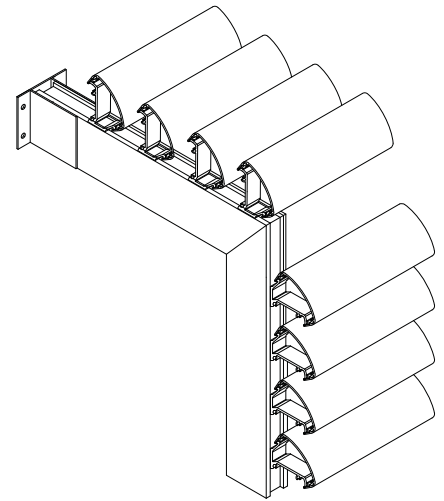
132SX



300RX



LOUVRE ORIENTATIONS



Horizontal Projection and
Vertical Sun Control Screen (Fixed)

THERMAL EXPANSION

Extruded Panel Louvres will be subject to thermal movement and allowances must be taken into account for expansion and contraction. Aluminium expands at a rate of 0.0236mm/m per 1°C. At a 40°C temperature range, the louvres will expand approximately for:

- 1m long – 0.94mm
- 2m long – 1.89mm
- 3m long – 2.83mm
- 4m long – 3.78mm
- 5m long – 4.72mm
- 6m long – 5.66mm



INSTALLATION

The Extruded Panel Louvre Systems; 80RX, 84RX, 132SX, 300RX, provide the user with options of varying the louvre spacing to suit any required sun angle.

As well, Hunter Douglas Commercial Framing Systems, which are pre-fabricated and available upon request, offer the user a variety of frame types for flexibility of choice and application.

The Facade Beam design allows for easy self-alignment of the 80RX, 84RX and 132SX Louvre Brackets for quick assembly and installation.



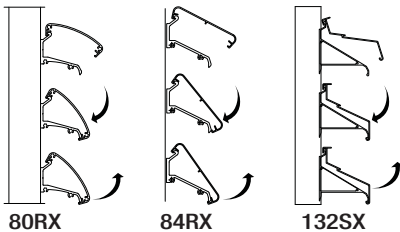
80RX, 84RX, 132SX

- After the 80RX, 84RX and 132SX Louvre Brackets are installed, fixing the louvre is simply a matter of clipping it in place.

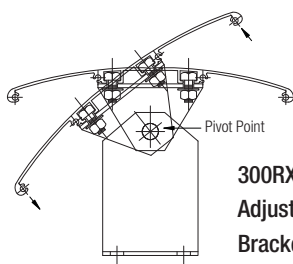
STEP 1: Locate the top louvre groove over the mounting bracket.

STEP 2: Rotate the louvre down and press firmly in the direction shown until the louvre snaps into position. Note: The louvre is symmetrical in shape and does not require orientation in any particular direction.

STEP 3: To remove the louvre, push firmly on the bottom edge (at the mounting bracket) to disconnect and rotate upwards.



300RX



300RX Louvre and Adjustable Mounting Brackets

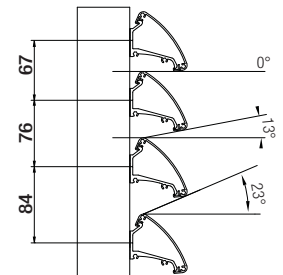
- The dynamic wing-shaped Extruded Panel Louvre – 300RX is a customised solution that can be both a striking dynamic element and effective sun control solution.
- The fixed system can be used in both vertical and horizontal configurations.
- The basic principle for the mounting of louvres and components is the same for both orientations.
- Flexibility: the angle of the 300RX Louvre can be adjusted by tilting the mounting bracket that supports the louvre by loosening the bolt and then tightening it to achieve the required sun angle.

SUN ANGLE (degrees above horizon)

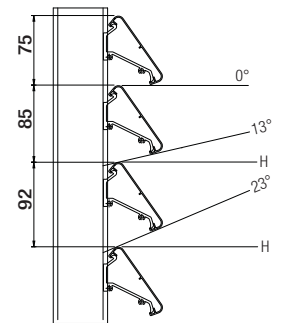
SUN ANGLE	LOUVRE SPACING (mm)	LM of PANEL/m ²	APPROX WEIGHT kg/m ² *
80RX			
0°	67.8	14.75	9.52
5°	71.0	14.09	9.09
10°	73.0	13.70	8.84
13°	75.5	13.25	8.55
15°	77.5	12.90	8.33
20°	82.0	12.20	7.88
21°	82.5	12.12	7.83
23°	84.0	11.91	7.69
25°	86.0	11.63	7.51
30°	92.0	10.87	7.02
55°	93.0	10.75	6.95
84RX			
0°	75	13.34	5.94
5°	79	12.65	5.63
10°	83	12.05	5.36
13°	85	11.76	5.23
15°	86	11.63	5.17
20°	90	11.12	4.95
21° 31°	91	10.98	4.89
23°	92	10.87	4.84
25°	95	10.53	4.66
30°	99	10.10	4.50
132SX			
0°	132	7.57	10.30
5°	142	7.04	9.60
10°	150	6.67	9.20
13°	153	6.54	9.00
15°	160	6.25	8.65
20°	170	5.88	8.15
22°	174	5.75	8.10
25°	180	5.55	7.70
30°	192	5.20	7.20

* Weight of supporting structure is not included. Louvre and bracket weight only.

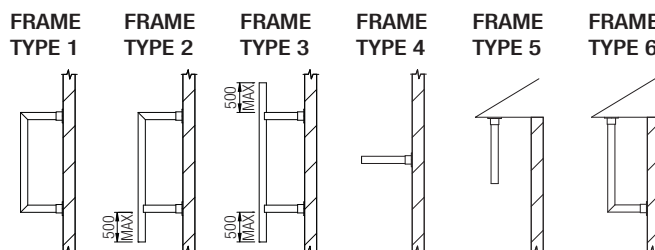
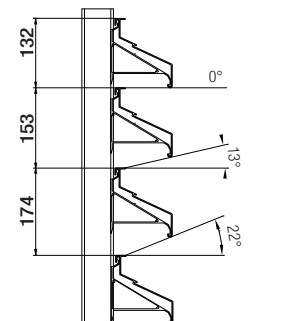
80RX



84RX

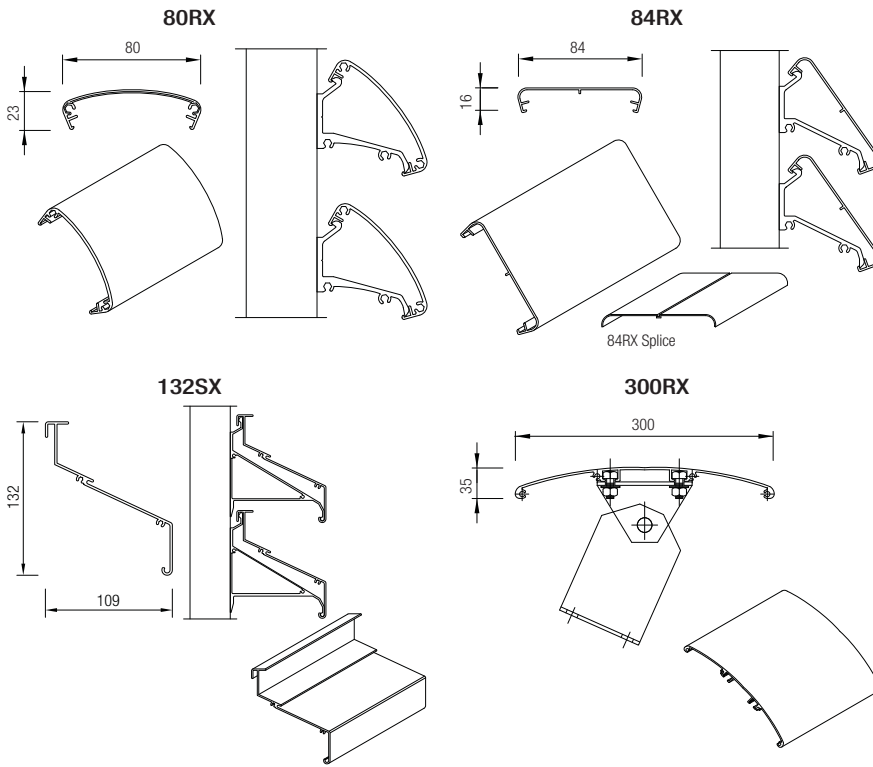


132SX



- These drawings show typical examples of the Hunter Douglas Commercial Framing Systems that support the Extruded Panel Louvres.

EXTRUDED PANEL LOUVRE SYSTEMS



SHORT FORM SPECIFICATION

EXTRUDED LOUVRES – 80RX

.....m² Aluminium Extruded 80RX Sun Louvre System, supplied by Hunter Douglas Commercial, is a fixed system consisting of louvres made of extruded aluminium, 80mm wide and 23mm deep, fixed to a supporting framework that is typically a Hunter Douglas Commercial Framing System or other, all in selected powder-coat / anodised finish, colour

Fix mounting brackets and louvres atmm centres to achieve a horizontal sun angle. The louvre support structure is made of extruded aluminium with extruded aluminium louvre mounting brackets mechanically fixed to the support members as specified.

Supply and install according to the fixing instructions of Hunter Douglas Commercial, a division of Hunter Douglas Limited.

EXTRUDED LOUVRES – 84RX

.....m² Aluminium Extruded 84RX Sun Louvre System, supplied by Hunter Douglas Commercial, is a fixed system consisting of louvres made of extruded aluminium, 84mm wide and 16mm deep, fixed to a supporting framework that is typically a Hunter Douglas Commercial Framing System or other, all in selected powder-coat / anodised finish, colour

Fix mounting brackets and louvres atmm centres to achieve a horizontal sun angle. The

louvre support structure is made of extruded aluminium with extruded aluminium louvre mounting brackets mechanically fixed to the support members as specified.

Supply and install according to the fixing instructions of Hunter Douglas Commercial, a division of Hunter Douglas Limited.

EXTRUDED LOUVRES – 132SX

.....m² Aluminium Extruded 132SX Sun Louvre System, supplied by Hunter Douglas Commercial, is a fixed system consisting of louvres made of extruded aluminium, 109mm wide and 132mm deep, fixed to a supporting framework that is typically a Hunter Douglas Commercial Framing System or other, all in selected powder-coat / anodised finish, colour

Fix mounting brackets and louvres atmm centres to achieve a horizontal sun angle. The louvre support structure is made of extruded aluminium with extruded aluminium louvre mounting brackets mechanically fixed to the support members as specified.

Supply and install according to the fixing instructions of Hunter Douglas Commercial, a division of Hunter Douglas Limited.

EXTRUDED LOUVRES – 300RX

.....m² Aluminium Extruded 300RX Sun Louvre System, supplied by Hunter Douglas Commercial, is a fixed system consisting of louvres made of extruded aluminium, 300mm wide and 35mm deep, fixed to a

supporting framework that is typically a Hunter Douglas Commercial Framing System or other, all in selected powder-coat / anodised finish, colour

Fix the louvre with 4mm aluminium brackets at the required spacing, with stainless steel bolts. Brackets to match louvre finish. Fix mounting brackets and louvres atmm centres to achieve a horizontal sun angle. The louvre support structure is made of extruded aluminium with extruded aluminium louvre mounting brackets mechanically fixed to the support members as specified.

Supply and install according to the fixing instructions of Hunter Douglas Commercial, a division of Hunter Douglas Limited.

Technical data is subject to change without notice. Refer to our Technical and Customer Support Team for further assistance.

HunterDouglasCommercial

WINDOW COVERINGS | CEILING | SUN CONTROL | FACADES

Copyright 2009. Hunter Douglas Limited ABN 98 009 675 709. C7970/02.09

Hunter Douglas Commercial

Division of Hunter Douglas Limited

338 Victoria Road, Rydalmere, NSW 2116

Phone: 1300 651 968

Email: enquiries@hunterdouglas.com.au

www.hunterdouglascommercial.com.au